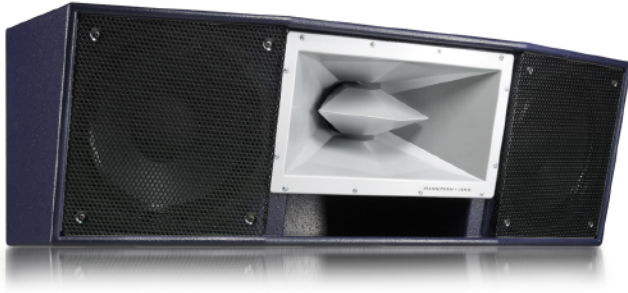
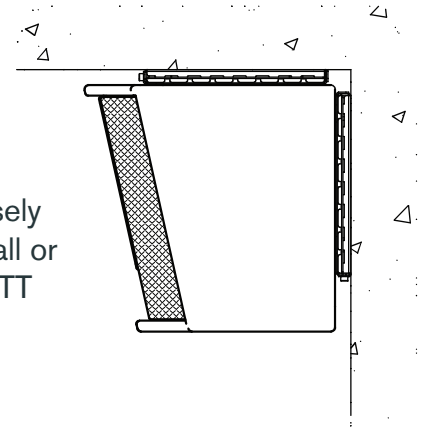


RESOLUTION 1.5TT

The Resolution 1.5TT is a two-way enclosure specifically designed for mid sized venues with low ceiling heights. Combining twin 12" drivers as used in the Resolution 1 with the 90 degree dispersion 5" from the Resolution 1.5, it can be neatly installed tight against a ceiling providing good coverage due to the built-in downward angle of the devices. Its already strong bass response can be further extended with a wide range of Funktion One bass enclosures, particularly the BR and F series.



The cabinet can be closely secured to either the wall or ceiling using the CP1.5TT Coupling Plate Set



Driver	Operating Band*	Sensitivity (1W at 1m)	Power (rms**)	Nominal Impedance
2 x 12"	25 - 520Hz	103dB	700W	4Ω
5"	520Hz - up	110dB	75W	12Ω

*Please check website for latest crossover settings

**AES rated

Frequency Response ±3dB:

55Hz - 15kHz

Weight:

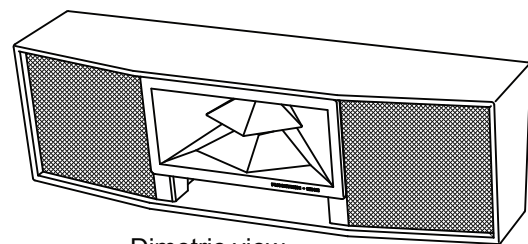
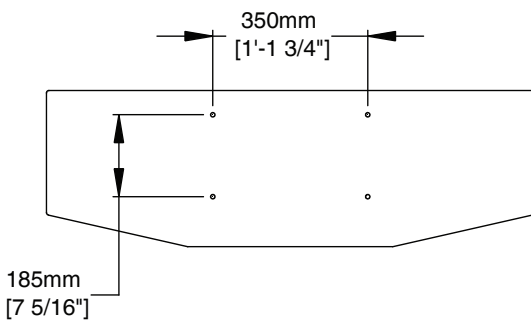
29kg (64lbs)

Nominal Dispersion:

90° Horizontal x 25° Vertical

Connectors:

2 x Speakon NL4



Dimetric view

